

PAMS Technical Documentation

NSD-3 Series Transceivers

Product Variants

CONTENTS

Foreword	3
Transceiver NSD-3AX	3
Modules	3
Transceiver NSD-3AY	3
Modules	3
Transceiver NSD-3GX	3
Modules	3
Exploded View of Transceiver NSD-3AX	4
Assembly Parts of NSD-3AX	5
View of NSD-3AX/GX	6
View of NSD-3AY	7

Foreword

This section of the service manual contains specific details for the NSD-3 handportable telephone variants.

The chapter contains an exploded view of the NSD-3 variants including a list of assembly parts covering the system module and the display module.

NOTE: The Service Manual is intended for use by qualified service personnel only.

NOTE: When assembling the B-cover screws, use 17 Ncm torque.

Transceiver NSD-3AX

Modules

Unit/type:	Product code:	Module code:
Transceiver NSD-3AX	0501121	
• radio module UF4D		0201023
• display module UE4		0200860
• mechanics MNSD3AX		0261481

Transceiver NSD-3AY

Modules

Unit/type:	Product code:	Module code:
Transceiver NSD-3AY	0503051	
• radio module UF4D		0201023
• display module UE4		0201454
• mechanics MNSD3AX		0261481

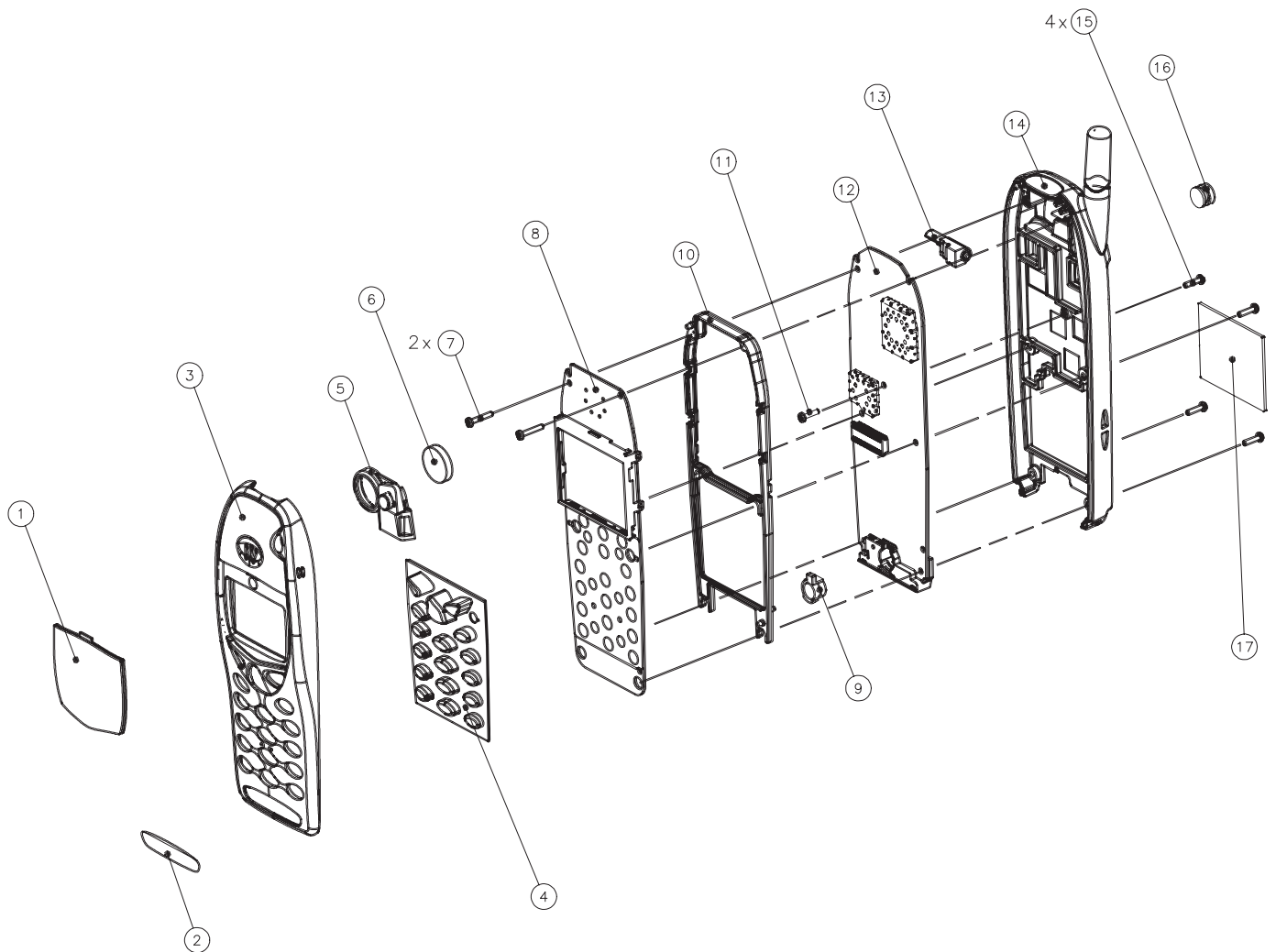
Transceiver NSD-3GX

Modules

Unit/type:	Product code:	Module code:
Transceiver NSD-3GX	0502449	
• radio module UF4		0201295
• display module UE4		0200860
• mechanics MNSD3AX		0261481

Exploded View of Transceiver NSD-3AX

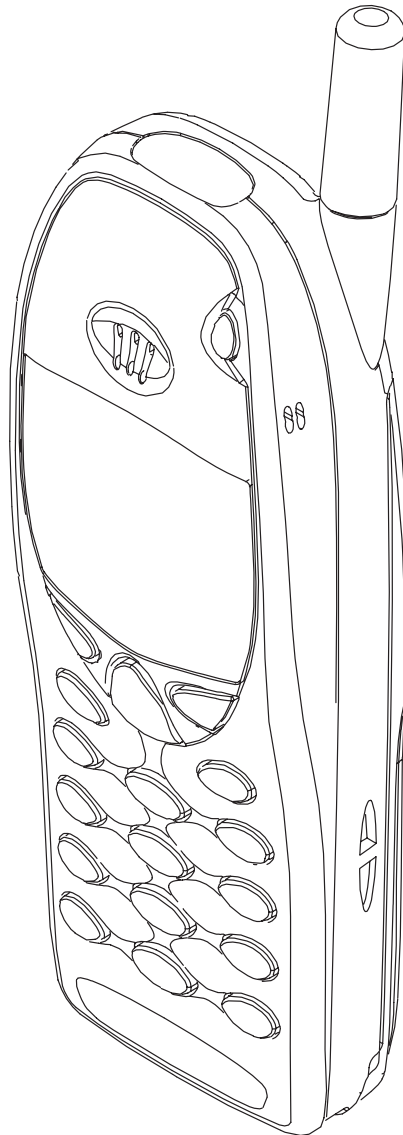
NOTE: Do not remove antenna from B-cover. Antenna and B-cover are provided as one unit.



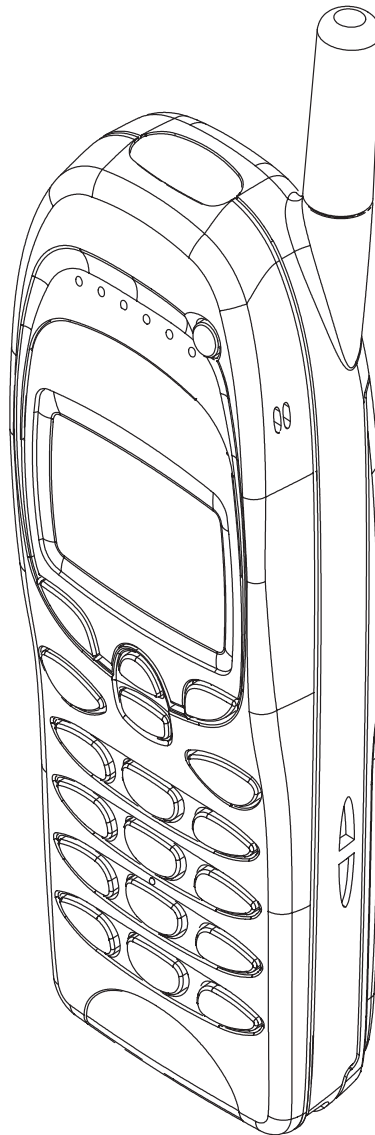
Assembly Parts of NSD-3AX

ITEM	Q'TY	CODE	DESCRIPTION	VALUE, TYPE
1	1	9457772	Window assy	NSE-3NX DMC00858
2	1	9430135	Logo label	NSE-3NX DMD02637
3	1	9457843	A-cover assy	NSE-3NX DMC00943
4	1	9794002	Keymat + keydome	DMC00727
5	1	9790256	Power keymat	NSE-3NX DMC00951
6	1	5140067	Speaker + spring 103dB 32R d13.3	
7	2	6190015	Screw M1.6x10 T6 FeZn blk	DMD01750
8	1	0200860	UE4 UI Module	
9	1	5140101	Microphone + mic.boot	DMC00955
10	1	9480340	Interboard frame	DMC00856
11	1	6190023	Screw M1.6x4 T6 FeZn cl	DMD02852
12	1	0201023	UF4D radio module tri mode	
13	1	6800037	Vibra motor assy	1.3V 80mA 8800rpm
14	1	0262105	B-cover assy including antenna: UTM Nokia	
	1	0262142	B-cover assy including antenna: UTM Gradiente	
15	4	6190013	Screw M1.6x7 T6 FeZn cl	DMD01749
17	1	9380340	Type label	4D23917
16	1	9451139	Dust Cap	DMD02859

View of NSD-3AX/GX



View of NSD-3AY



This page intentionally left blank.